



## PRODUCT LINE

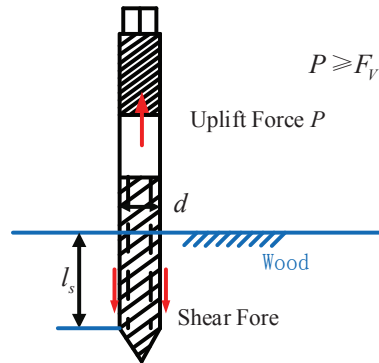
Item	Product Name
CK-FTH-013	CHIKO Standing L Feet Mount

## TECHNICAL DATA

Main Material	AL 6005-T5
Uplift P	N*Fv (N=1)
Wind Velocity	Up to 60 M/S

## L-Foot Kit

CHIKO L feet have been widely used on universal corrugated metal sheet roof. It can fix to the roof rafter directly. Also, it can be applied with hanger bolts and other roof clamps CHIKO designed.



## ADVANTAGES

- Enables simple, fast and cost-effective installation.
- Al6005-T5, High class anodized aluminium.
- Waterproof Silicone rubber intergrated.
- Fasteners and rill nut configrated to save extra parts purchasing.

## COMPONENT LIST

MATERIAL	QTY
Aluminium L Feet	01
057 Al Nut	01
SUS304 Bolt M8*25	01
SUS304 Washer M8	02
Wood Screw 6.3*90	01
Silicon Pad	01

## WARRANTY



## ORDERING SPECIFICS

Standard Packaging	50PCS/BOX 200PCS/CTN
Dimensions	51X38X22CM
Weight	28KG